



Castle S 60

By
Stone Designs





Decorative
Lighting

Suspension
lamps

Description

Round aluminum LED suspension lamp with a highly uniform opal white PMMA diffuser. It allows multiple configurations with a single connection. Finishes: textured matte white, textured matte black and natural oak. Available in three sizes. Dimmer.

Technical Description

Degree of Protection		Regulation	1-10V
Class		Light type	LED
Adjustable		Light source included	Yes
Casambi		Energy classification	-

Certifications



Packaging

Net Weight per Item	2.00 Kg
Box Sizes	73 x 72 x 22 cm - 0,12 m ³
Gross Weight	10.60 Kg

Finishes

SHADE



Black



Natural Oak



White

Collection



Castle C



Castle S

Codes

Luminaire

Light Source

737311U

CASTLE S60 WHITE USA

LED 17.4W 3416lm 150mA 3000K CRI>=90 110-277V DIM 1-10V

737312U

CASTLE S60 BLACK USA

LED 17.4W 3416lm 150mA 3000K CRI>=90 110-277V DIM 1-10V

737313U

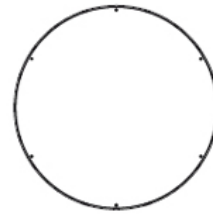
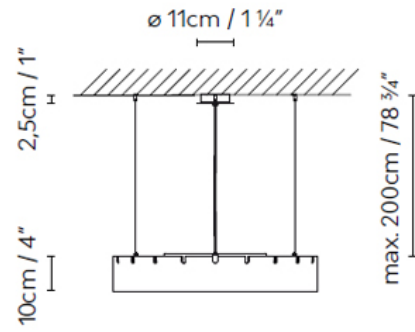
CASTLE S60 OAK USA

LED 17.4W 3416lm 150mA 3000K CRI>=90 110-277V DIM 1-10V

DOWNLOADS



Castle_S_Assembly_USA.pdf



$\varnothing 60\text{cm} / 23\frac{1}{2}"$